

## Raritan PXC/PXO

Thank you for purchasing the PXC/PXO intelligent power distribution unit (PDU).

This guide describes two types of PDU models that can distribute power to IT devices: PXC and PXO. For their differences, see **Comparison between PXO and PXC** (on page 1).

---

### Safety Precautions

**WARNING!** Before installing or operating this product, read and understand all sections in this guide. Failure to heed any of the following WARNINGS may result in electric shock, fire, personal injury and death. Prior to operating this product, the user should read the online help and specifically the warnings in the online help.

**WARNING!** Connect this product to an AC power source with a voltage that is within the range specified on the product's nameplate.

**WARNING!** Connect this product to an AC power source that is current limited by a suitably rated fuse or circuit breaker in accordance with national and local electrical codes.

**WARNING!** Use this product in a dry location.

**WARNING!** Connect this product to a protective earth ground. Never use a "ground lift adaptor" between the product's plug and the wall receptacle.

**WARNING!** If this product is a model that requires the assembly of the line cord or plug, the assembly must be performed by a licensed electrician, and the line cord or plugs used must be rated based on the product's nameplate ratings, as well as national and local electrical codes.

### Comparison between PXO and PXC

PXO and PXC are functionally similar and have the same connection ports on their front panels. However, their purposes and mechanical designs vary.

- PXC is designed for an information technology equipment room like data centers or server rooms.
- PXO is designed for regular offices.
- PXO is usually smaller than PXC and has much fewer outlets.
- PXC has more rackmount methods than PXO.

---

### Unpacking the PXC/PXO

The following describes the equipment shipped with PXC or PXO PDU in addition to this Quick Setup Guide. If any pieces are missing or damaged, report this to Raritan Technical Support, or contact the Raritan partner where you purchased the product.

#### PXC

- One PXC
- Buttons (Zero U), or bracket pack and screws (1U/2U)

## PXO

- One PXO
- Brackets and screws

---

### Before You Begin

1. Prepare the installation site. Make sure the installation area is clean and not exposed to extreme temperatures or humidity. Allow sufficient space around the device for cabling and outlet connections. Safety instructions are provided in the PXC/PXO online help.

Fill out the Equipment Setup Worksheet found in the online help. Record the model, serial number, and use of each IT device connected to the PDU's power outlets.

---

### Mounting the PDU

Use one of the mounting methods to install your product.

#### Circuit Breaker Orientation Limitation

Usually a PDU can be mounted in any orientation. However, when mounting a PDU with circuit breakers, you must follow these rules:

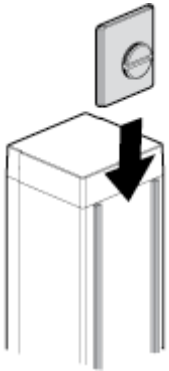
- Circuit breakers CANNOT face down. For example, do not horizontally mount a Zero U PDU with circuit breakers facing up or down.

#### PXC Rackmount Methods

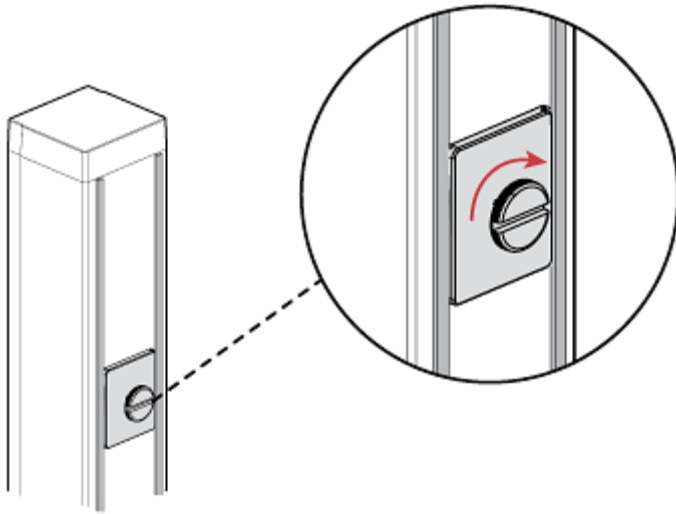
The proper PXC rackmount method is model dependent.

#### Mounting Zero U Models with Mount Buttons

1. Turn to the rear of the PXC.
2. Align and slide the Raritan-provided mounting button to the rear rail of the PDU.



3. Turn the button clockwise until it is securely locked in place.



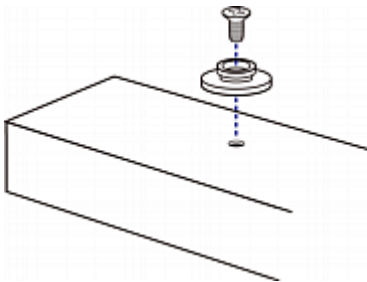
4. Repeat the same steps to install the other button onto the PDU's rear side.



5. Properly install the PDU by fitting the attached rear buttons into position of the rack.
  - a. Press the PDU toward the rack.
  - b. Push the mounting buttons through the mounting holes.
  - c. Let the PDU drop slightly.

### Mounting Zero U Models with Screw Buttons

1. Turn to the rear of the PXC.
2. Locate the two screw holes on the rear panel.
3. Screw a button in each screw hole. The recommended torque for the button is 1.96 N·m (20 kgf·cm).



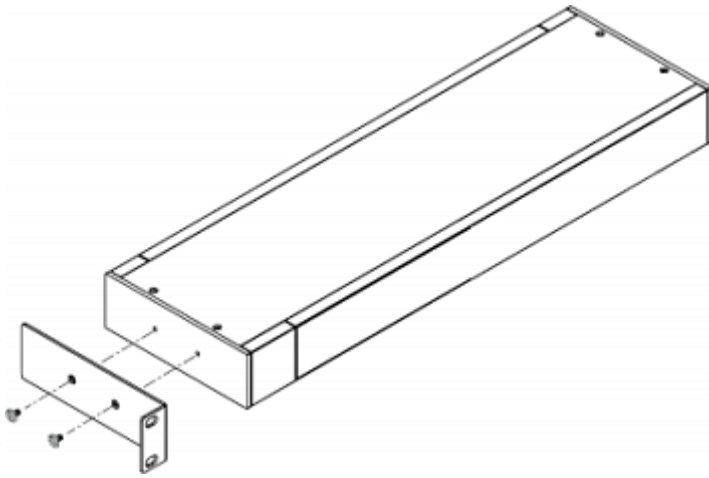
4. Press the PDU forward, pushing the mounting buttons through the mounting holes, then letting the PDU drop slightly.

### Mounting 1U or 2U Models

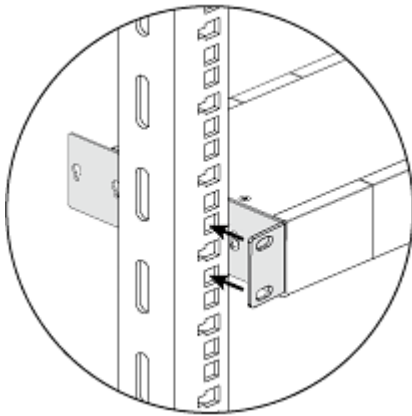
Using the appropriate brackets and tools, fasten the 1U or 2U PXC PDUs to the rack or cabinet.

► **To mount 1U/2U device:**

1. Attach a rackmount bracket to both sides of the PXC with the provided screws.

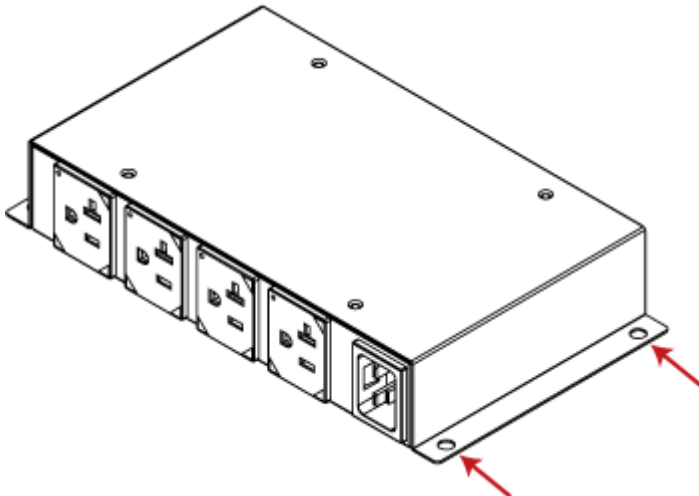


2. Attach PXC to the rack. Fasten the rackmount brackets' ears to the rack using your own fasteners.



### PXO Rackmount Method

You can place PXO in any appropriate location with or without fastening it. To fasten it, simply screw up fasteners to screw holes on two sides of PXO.



## Connecting the PDU to a Power Source

The distance between a PDU and its power source must be SHORTER than the PDU's line cord to avoid stretching out the cord. A locking connector used at the power source is highly recommended for a secure connection.

### ▶ To connect a PDU to the power source:

1. Verify that all circuit breakers on the PXC/PXO are set to ON. If not, turn them ON.  
Or make sure that all fuses are inserted and seated properly. If there are any fuse covers, ensure that they are closed.

---

Note: Not all models have overcurrent protectors.

---

2. Connect each PXC/PXO to an appropriately rated branch circuit. Refer to the label or nameplate affixed to your PXC/PXO for appropriate input ratings or range of ratings.

---

Note: When a PXC/PXO powers up, it proceeds with the power-on self test and software loading for a few moments.

---

3. When the software has completed loading, the outlet LEDs show a steady color and the front panel display illuminates. Note that outlet LEDs are only available on some PDU models.

---

## Connecting the PDU to Your Network

PXC/PXO can be connected to a wired or wireless network.

### ▶ To make a wired connection:

1. Connect a standard network patch cable to either or both Ethernet ports on the PXC/PXO.
2. Connect the other end of the cable to your LAN.

---

Note: If connecting both ports to the LAN, you must connect them to two "different" subnets. If you are not sure whether the device is connected to the same or different subnets, contact your IT department.

---

### ▶ To make a wireless connection:

1. Connect an appropriate USB wireless LAN adapter to the PXC/PXO.
2. Make sure the wireless LAN configuration is supported by your PXC/PXO. See Wireless LAN Information.

---

## Initial Network Configuration

Depending on your networking environment, the best method to initially configure your PXC/PXO differs.

- For a DHCP IPv4 networking environment, see **Using a Web Browser** (on page 5).
- For an IPv6 or "static" IPv4 networking environment, see **Appendix A: Configuration via a Mobile Device or PDView** (on page 6).

---

## Using a Web Browser

### Step 1: Retrieve the IP Address

After connecting to a DHCP IPv4 network, an IPv4 address is automatically assigned to your PXC/PXO. You can operate the front panel display to retrieve the IPv4 address. See **Using the Front Panel Display** (on page 5).








---

Tip: You can also retrieve the IPv4 address by connecting an iOS or Android mobile device to PXC/PXO. See **Appendix A: Configuration via a Mobile Device or PDView** (on page 6).

---

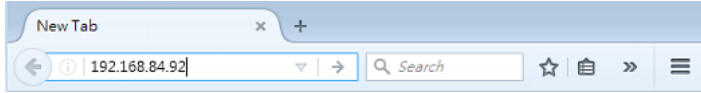
## Using the Front Panel Display

### ▶ To retrieve the IP address:

1. Press  or  to show the "Main Menu."
2. Press  or  to select "Device Info," and press .
3. Press  or  until the device's IP address is displayed.

## Step 2: Log in to the PXC/PXO Web Interface

1. In a web browser, enter the PDU IP address and login with the default user credentials, accepting any security warnings.
  - Default login: admin/raritan



Password change is enforced at first login.

---

## What To Do Next

1. Connect IT equipment to the outlet(s) on the PXC/PXO.
2. Launch the web browser if not yet. See **Step 2: Log in to the PXC/PXO Web Interface** (on page 6).
3. Choose Device Settings > Date/Time to configure the PXC/PXO with the proper date and time or synchronize it with an NTP server. The PXC/PXO device's time must be in sync with the LDAP server to use LDAP authentication.

---

Note: If you are using Sunbird's Power IQ to manage the PXC/PXO, you must configure Power IQ and the PXC/PXO to have the same date/time or NTP settings.

---

4. To change network settings, choose Device Settings > Network.

---

Tip: You can enable both wired and wireless networking so that the PXC/PXO can be accessed via either wired or wireless IP address.

---

5. PXC/PXO is sent from the factory with all the outlets ON. If your model is outlet-switching capable, turn OFF the outlets without devices connected.
6. Use the menu to the left to configure user profiles, privileges, security, or inlet thresholds.

---

Note: Detailed instructions are available in the PXC/PXO online help or user guide.

---

---

## Appendix A: Configuration via a Mobile Device or PDView

An iOS or Android mobile device, such as a smartphone or tablet, can function as a local display. Android devices must support USB "On-The-Go" (OTG).

### Step 1: Download the "PDView" App

Raritan's free app "PDView" is required for the mobile device to function as a local display.

► **To download PDView:**

1. Visit either Apple App or Google Play Store.
  - <https://itunes.apple.com/app/raritan-pdview/id780382738>



- <https://play.google.com/store/apps/details?id=com.raritan.android.pdview>



2. Install PDView.

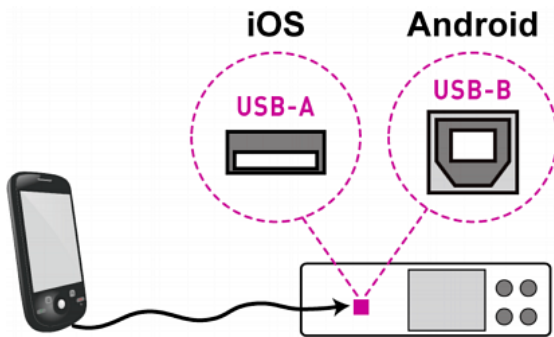


## Step 2: Connect the Mobile Device to PXC/PXO

The USB cable and USB port to connect are determined by your mobile operating system.

### ► To connect your mobile device to PXC/PXO:

1. Get an appropriate USB cable for your mobile device.
  - *iOS*: Use the regular USB cable shipped with your iOS mobile device.
  - *Android*: Use an **USB OTG** adapter cable.
2. Connect the mobile device to the appropriate USB port on the product.
  - *iOS*: USB-A port.
  - *Android*: USB-B port



## Step 3: Launch PDView

### ► To access the PXC/PXO web interface:

1. Launch PDView on your mobile device.
2. Wait until PDView detects the connected PXC/PXO and shows the word "Connected" in green.

**Connected**

3. If the factory-default login credentials remain unchanged, or if PDView has been configured with accurate login credentials, PDView automatically logs in to the web interface of PXC/PXO.

If PDView can't login automatically, the login screen displays instead and you must enter appropriate user credentials for login.

4. For initial login, you are prompted to change the password.

## Appendix B: Wireless Configuration

### ► USB Wireless LAN Adapters

The PXC/PXO supports the following USB Wi-Fi LAN adapters.

Wi-Fi LAN adapters	Supported 802.11 protocols
SparkLAN WUBR-508N	A/B/G/N
Proxim Orinoco 8494	A/B/G
Zyxel NWD271N	B/G
Edimax EW-7722UnD	A/B/G/N
TP-Link TL-WDN3200 v1	A/B/G/N

Wi-Fi LAN adapters	Supported 802.11 protocols
Raritan USB WIFI	A/B/G/N

▶ **Supported Wireless LAN Configuration**

If wireless networking is preferred, ensure that the wireless LAN configuration of your PXC/PXO matches the access point.

- Network type: 802.11 a/b/g/n.
- Protocol: WPA2 (RSN).
- Key management: WPA-PSK, WPA-EAP with PEAP and MSCHAPv2 authentication, WPA-EAP with TLS authentication, or WPA-EAP with PEAP and TLS authentication.
- Encryption: CCMP (AES)

---

**Tip: Supported 802.11 network protocols vary according to the wireless LAN adapter being used.**

---

▶ **Making a Wireless Connection**

- Plug a supported USB wireless LAN adapter into the USB-A port on your PXC/PXO.  
OR
- Connect a USB hub to the USB-A port on the PXC/PXO. Then plug the supported USB wireless LAN adapter into the appropriate USB port on the hub.

## Appendix C: More Information

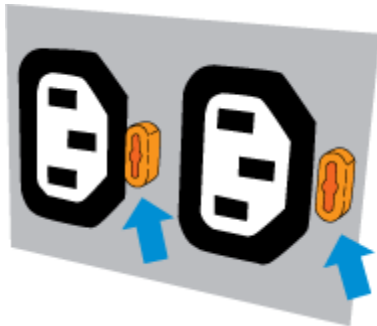
### Disconnecting Devices from 'Locking' Outlets

Not every PXC/PXO is implemented with locking outlets.

Locking outlets, if available on your PXC/PXO, help secure the connection of power cords from your IT equipment to PXC/PXO.

▶ **To remove an IT device from a locking outlet:**

1. Press and hold down the tiny button adjacent to the PXC/PXO outlet.



2. Unplug the power cord now.

### Identifying the Sensor Port

Warning: Only connect environmental sensors to the SENSOR port, or damages may be caused to the device and the sensor packages.

- The correct port is labeled SENSOR and highlighted yellow.





## Threaded Grounding Point

Some models have a threaded grounding point. Identify it via the grounding symbol:



Wire this point to an electrical system to protectively ground the PDU.

## Additional Information

For more information about PXC/PXO and the entire Raritan product line, see Raritan's website ([www.raritan.com](http://www.raritan.com)). For technical issues, contact Raritan Technical Support. See the Contact Support page in the Support section on Raritan's website for technical support contact information worldwide.

Raritan's products use code licensed under the GPL and LGPL. You can request a copy of the open source code. For details, see the Open Source Software Statement at (<https://www.raritan.com/about/legal-statements/open-source-software-statement/>) on Raritan's website.