

DCPS-DKX4-101 Quick Setup Guide

DCPS-DKX4-101 is a power shelf that supports up to nine DKX4-101 devices.

Package Contents

1 - Rack mounting kit

9 - DC power connection cables

1 - DCPS-DKX4-101 unit

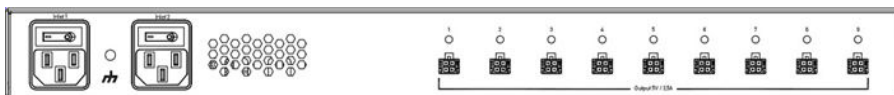
Specifications

- 5V/120W power shelf to support 9 x DKX4-101
- AC inlet: 2x IEC60320 C14 with an On/Off switch
- DC output connectors: 9 x 560-21-0066-00
- 9 individual over current protection in each output: 3A eFuse
- 9 individual white LED indicators for the 5V output status
- Operation temperature and relative humidity: 0 - 45°C, 0 - 85% RH
- Storage temperature: -30°C to 80°C , 0 - 95% RHCE
- Unit dimensions (W*D*H): 440mm x 183mm x 44mm; 17.3" x 7.2" x 1.7"

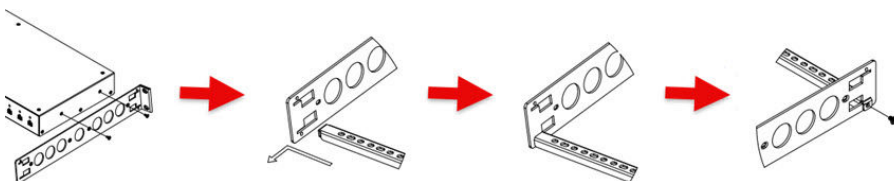
Front View



Rear View

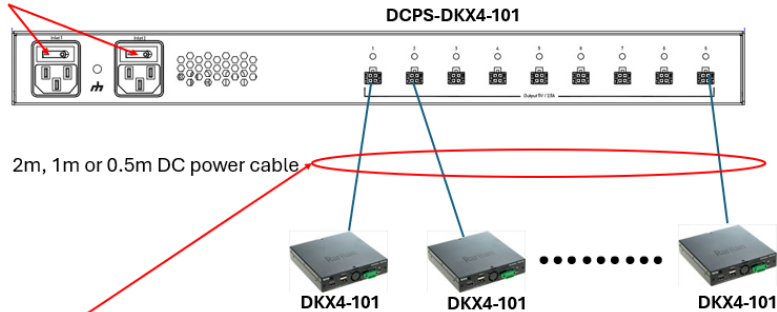


Rack Mounting



Connecting the Equipment

85 ~ 264VAC or 120 ~ 370VDC with 30W



257-01-2032-00 HNS 1185#16 43030-4P-43025-4P 2000mm Tube-Black
257-01-2031-00 HNS 1185#16 43030-4P-43025-4P 1000mm Tube-Black

LEDs and Overcurrent Protection

Each DC output is protected by a 3A Fuse.

The output LED is ON when power is on.

The output LED is OFF when power is off.

If there is a short circuit on a line, the eFuse will trip and the corresponding LED will turn OFF. Once the load is corrected, the eFuse will recover automatically.

Dual Power Supply

Dual Power Mode: Connect both power cords, and turn on both power switches for redundant auto-failover power.

Single Power Mode: Connect one power cord, and turn on its switch to fully power the unit without failover. Either power supply input can be used for single power mode.