

## BCM2 Series Branch Circuit Monitors

### Safety Information

#### DANGER!

#### HAZARD OF ELECTRIC SHOCK, EXPLOSION, OR ARC FLASH

Follow safe electrical work practices. See NFPA 70E in the USA, or applicable local codes.

This equipment must only be installed and serviced by qualified electrical personnel.

Read, understand and follow the instructions before installing this product.

Turn off all power supplying equipment before working on or inside the equipment.

Any covers that may be displaced during the installation must be reinstalled before powering the unit.

Use a properly rated voltage sensing device to confirm power is off.

DO NOT DEPEND ON THIS PRODUCT FOR VOLTAGE INDICATION

**Failure to follow these instructions will result in death or serious injury.**

---

#### NOTICE

This product is not intended for life or safety applications.

Do not install this product in hazardous or classified locations.

The installer is responsible for conformance to all applicable codes.

Mount this product inside a suitable fire and electrical enclosure.

---

#### CAUTION

#### RISK OF EQUIPMENT DAMAGE

This product is designed only for use with 0.33V output current transducers (CTs).

DO NOT USE CURRENT OUTPUT (e.g. 5A) CTs ON THIS PRODUCT.

Failure to follow these instructions can result in overheating and permanent equipment damage.

For use in a Pollution Degree 2 or better environment only. A Pollution Degree 2 environment must control conductive pollution and the possibility of condensation or high humidity. Consider the enclosure, the correct use of ventilation, thermal properties of the equipment, and the relationship with the environment. Installation category: CAT II or CAT III

Provide overcurrent protection and disconnecting device for supply conductors with approved current limiting devices suitable for protecting the wiring.

If the equipment is used in a manner not specified by the manufacturer, the protection provided by the device may be impaired.



This symbol indicates an electrical shock hazard exists.



Documentation must be consulted where this symbol is used on the product.

### Equipment Maintenance and Service

**WARNING!** This equipment must only be installed by qualified electrical personnel. This product contains no user serviceable parts. Do not open, alter or disassemble this product. All repairs and servicing must be performed by Raritan authorized service personnel. Failure to comply with this warning may result in electric shock, personal injury and death.

### Raritan

400 Cottontail Lane, Somerset, NJ 08873 USA

### Product Overview

Raritan's BCM2 hardware is a branch circuit monitor that supports the Xerus technology platform.

96 channel branch circuit monitor.

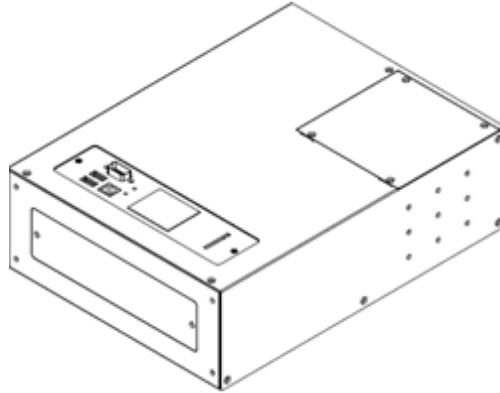
Models available with or without built-in meter controller, with power line cords or field wiring terminals.

One meter controller (built-in or external) interconnects one to eight BCM2.

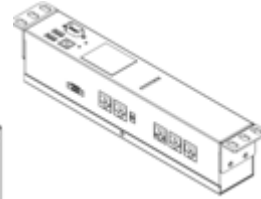
Built-in controller is top or front mountable.

External controller rack mounts or attaches to PDU access door.

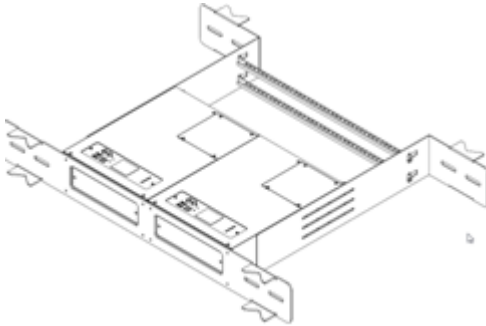
▶ **BCM2\_96xx (with built-in controller)**



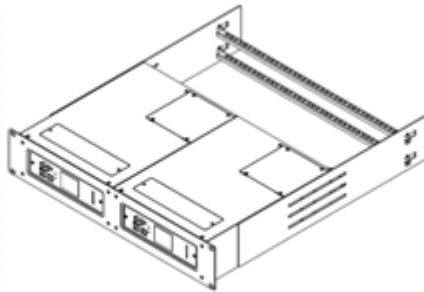
▶ **External meter controller**



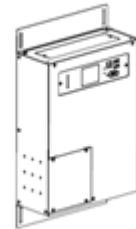
Mounting kits are available for subfloor, rack or wall. Floor and rack mount kits hold one or two BCM2 meters.



**BCM2\_FLOOR\_MOUNT\_KIT**



**BCM2\_RACK\_MOUNT\_KIT**



**BCM2\_WALL\_MOUNT\_KIT**

## Product Specifications

### Voltage Measurement Inputs:

Input Range* for BCM2-9610	90-120VLN, 156-208VLL
Input Range* for BCM2-9610Y	90-277VLN, 156-480VLL
Input Range* for BCM2-9611	220-240VLN, 380-415VLL

Measurement Category	CAT III, Pollution Level 2
Frequency	47-63 Hz
Input Impedance	10MΩ

\*Ratings for models with field wiring terminals. For models with factory installed line-cords, rating is limited by plug and ratings are labeled on back on unit.

## Current Measurement Inputs:

Input Range	0-333mV
Input Impedance	10kΩ
CT Type	Voltage Output = 333mV at rated current
CT Rated Current	1-1200A

## Meter Measurement Accuracy:

Active Power & Energy	0.5%: IEC 62053 Class .5, EN 50470-3 Class C
Reactive Power & Energy	2%
RMS Voltage & Current	0.2%
Frequency	0.1%
Sample Rate	64x AC frequency (phase locked)
Measurement Update Rate	3 seconds: IEC 61000-4-30 Class S

## Power Requirements:

Voltage	90-240V
Current	0.2A
Overvoltage Category	CAT III, Pollution Level 2
Frequency	50-60 Hz

## Environmental:

Operating Temperature	0-60°C
Operating Humidity	5-85%RH
Operating Elevation	0-3000m

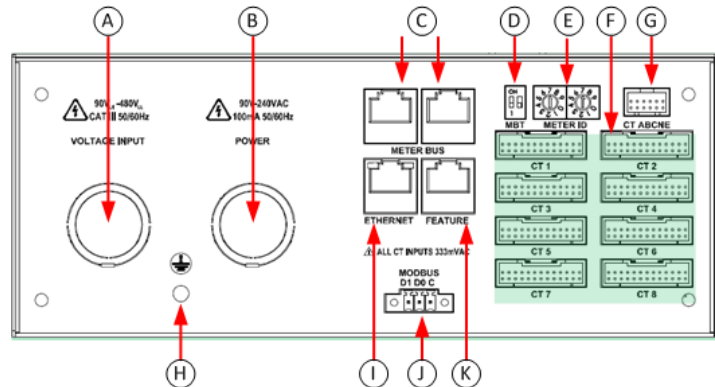
## Conformance:

Safety	UL/EN 61010-1
EMC/EMI	EN61326-1, FCC Part 15 Class A

---

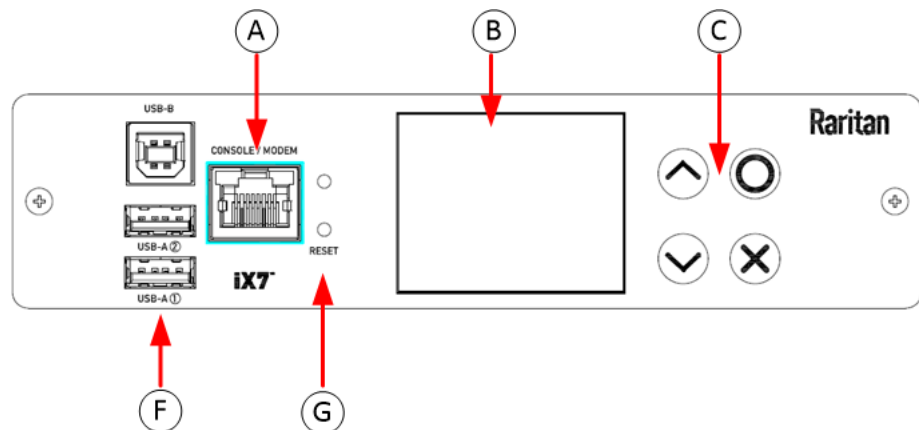
## BCM2 Rear Panel Connectors and Controls

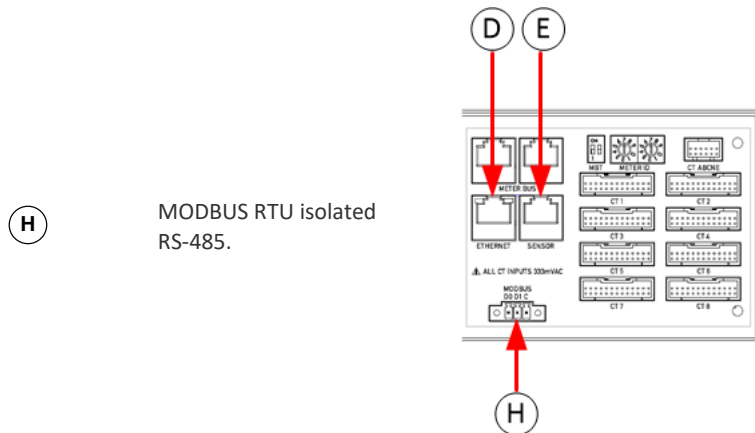
- (A)** Voltage measurement input. Model dependent: line cord or conduit knockout
- (B)** Meter power input. Not present on line cord models.
- (C)** Meter Bus connectors. Daisy chains multiple meters to common controller.
- (D)** Meter Bus Terminator Switch. Electrically terminates meter bus.
- (E)** Meter ID switches. Assigns each meter a unique ID number.
- (F)** Eight branch circuit CT connectors (CT1 through CT8).
- (G)** Panel mains CT connector.
- (H)** Ground connection point (optionally grounds meter to rack).
- (I)** 10/100 base-t Ethernet jack. (Models with built-in meter controller.)
- (J)** MODBUS RTU isolated RS485. (Models with built-in meter controller.)
- (K)** Sensor port. (Models with built-in meter controller.)



## Meter Controller Connectors and Controls

- (A)** RS-232 for serial CLI or phone-line modem access. RJ45 port provided on iX7 models.
- (B)** LCD displays meter readings and configuration.
- (C)** Keypad: up, down, select, cancel.
- (D)** 10/100 base-t Ethernet.
- (E)** Sensor port (temperature, humidity, contact closure)
- (F)** USB A & B ports: flash drives, WIFI, serial port.
- (G)** Pin-hole access controller reset button.





**H** MODBUS RTU isolated RS-485.

## Voltage Measurement and Power Wiring

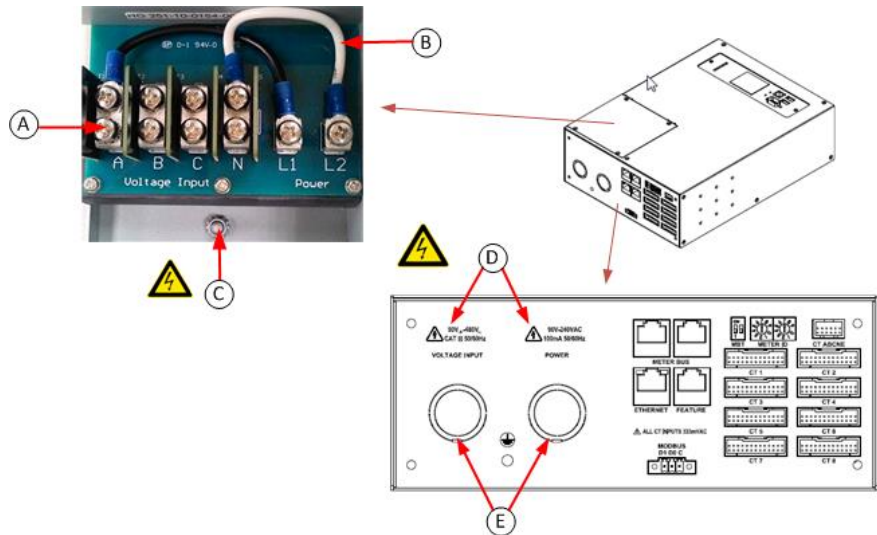
BCM2-96xx series products are available with factory installed line cords (PLUGGABLE EQUIPMENT) or conduit knockouts and field wiring terminals (PERMANENTLY CONNECTED EQUIPMENT).

This section describes how to wire models with conduit knockouts and field wiring terminals. Models with factory installed line cords are not end user wired and must not be opened or modified.

There are two conduit knockouts on the rear panel – one for voltage inputs (voltages that are measured), the other for power (power to run the product). In most cases, only voltage inputs are wired because power can be derived from the voltage inputs (see jumpers in figure).

Product power is taken from the voltage inputs using two jumpers. A separate circuit can be used for power which insures BCM2 continues to operate when voltages inputs fail. A separate power circuit **MUST** be used if the voltage inputs exceed power rating (90-240VAC). When using a separate circuit, remove factory jumpers and wire circuit to the power L1 and L2 terminals.

- A** Terminals accept 14-18 AWG solid or stranded wire. Use ring terminals on stranded wire. Use wire rated 75°C or higher.
- B** Jumpers power unit from voltage inputs. Move or remove as necessary.
- C** Connect ground wires to stud.
- D** Verify circuit voltages match product ratings.
- E** ½ and ¾ conduit fitting knockouts



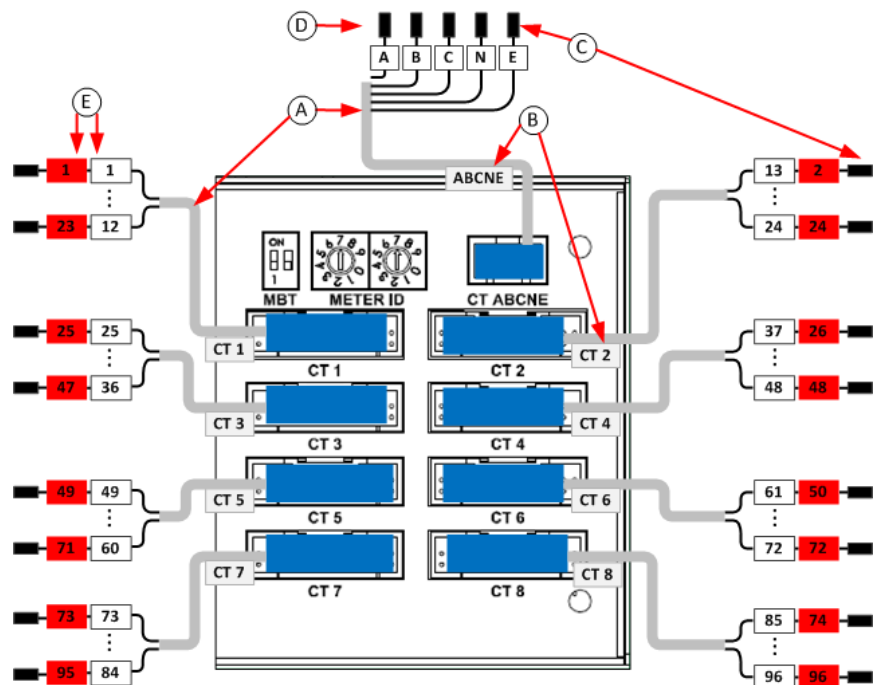
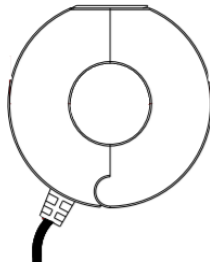
Panel Voltage	Voltage Inputs				Power		CT ABCNE					
	A	B	C	N	L1	L2	A	B	C	N	E	
1-phase 120V, 230V	X			X	A	N	X				O	O

1-phase 208V	X	X		O	A	B	X			O	O
Split-phase 120/240	X	X		X	A	B	X	X		O	O
3-phase 4-wire	X	X	X		A	B	X	X	X	O	O
3-phase 5-wire	X	X	X	X	A	N	X	X	X	O	O

**Note:** X: Selection, Blank: Non-selection, O: Option

## Current Transformer (CT) Wiring

- (A)** Multi-conductor CT cable. Available lengths: 3m, 10m.
- (B)** Connect labeled end into matching labeled rear panel connector
- (C)** CT plugs into 2-pin locking connector (Molex 43640-0201)
- (D)** Main Circuit: 3 phase lines (A,B,C), Neutral (N), Earth (E).
- (E)** Branch Circuits have two labels: Red labels for odd/even numbered panels. White labels for sequentially numbered panels.  
All CTs 333mV output. DO NOT use current output CT.  
CT can be connected to live circuit in either direction. Meter auto corrects polarity.  
CT must be completely closed and tab locked to ensure proper energy metering.

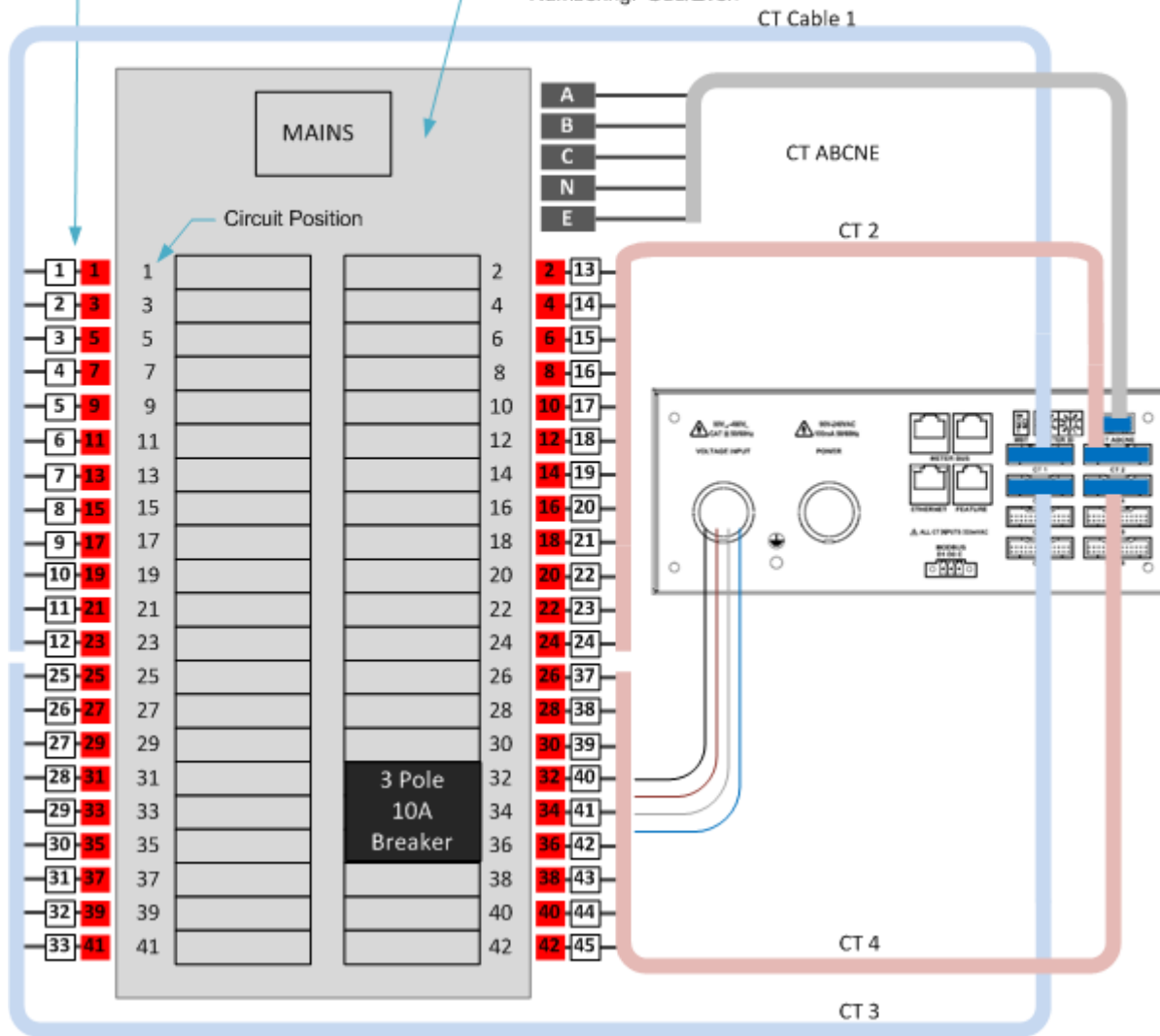


Branch Circuit	Description	Current Transformers	
		How Many	Connect To
Line-Neutral (LN)	120V/230V circuit wired to 1-pole circuit breaker	1	phase line
Line-Line (LL)	208/240/400V circuit wired to 2-pole circuit breaker	1	either phase line
Line-Line-Neutral (LLN)	120V+208/240V circuit wired to 2-pole circuit breaker	2	each phase line
Three-Phase (LLL, LLLN)	3-phase circuit wired to 3-pole circuit breaker	3	each phase line

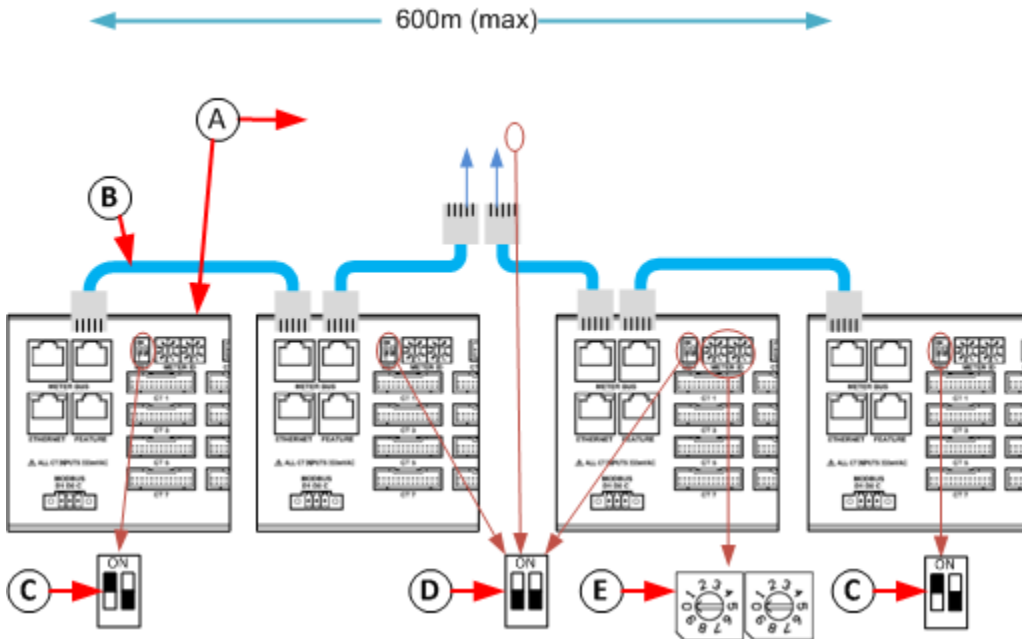
## Panel Wiring Example

Two Labels On Each CT Connector  
 Red: Odd/Even Panel Numbering  
 White: Sequential Panel Numbering

Panel Configuration  
 Positions: 42  
 Layout: 2 column  
 Numbering: Odd/Even



## Controller Wiring to Meters



Daisy chain:

- (A) Meter with built-in controller + 1 to 7 controller-less meters  
or  
external controller + 1 to 8 controller-less meters.
- (B) All cables shielded Cat-5, each cable: 100m max. length.
- (C) Switch MBT (terminator) ON for devices at ends of daisy chain.
- (D) Switch MBT OFF for devices in middle of daisy chain.
- (E) Assign each meter unique ID: valid values 01 through 08

## Login and Configuration

Connect your PC directly to the BCM2 to complete the initial configuration.

### ► To access the web interface at the rack:

1. Disable the wireless interface of the PC.
2. Connect a cat 5 cable between the PC and BCM2 network ports.
3. Open a browser. Enter the URL "https://pdu.local". The login page appears.

If the URL does not resolve, use the IP address of the PMC. Retrieve the direct IP address using the LCD display: Menu > Device Information, scroll to the IPV4 settings. Enter the IP address in the web browser: "https://IP address/"

4. Login with the default username and password. Allow 30 seconds for first connection. Password change is forced upon first login.
  - Username: admin
  - Password: raritan



## Configuring Power Meters and Branch Circuit Monitors

You can configure your product with a spreadsheet, or in the product's web interface.

► **To configure with a spreadsheet:**

Go to Raritan.com and download the configuration spreadsheet from the BCM2 Support page. Follow the instructions in the spreadsheet.

► **To configure with the product web interface:**

Make a network connection to the product. See **Login and Configuration** (on page 8). Follow the instructions in this guide, starting with: Scan Power Meters.

### Configure Using the Web Interface

#### Scan Power Meters

- 1 Click Power Meters.
- 2 If nothing is configured, scan begins immediately in the Unconfigured Meters section. Click Rescan to refresh the list.
- 3 Click the power meter or panel in the discovered list to configure it.  
Types:  
PM: 3-phase  
Panel: BCM

ID ▲	Type	Name	Rating	Circuits	A Current	B Current	C Current
1	Panel	Panel Mains 1	250 A	3	0.00 A	0.00 A	0.00 A
9	PM	PMM-1	200 A		0.00 A	0.00 A	0.00 A

ID ▲	Type	BCM Channels
2	Panel	96
3	Panel	96
4	Panel	96
5	Panel	96
6	Panel	96
7	Panel	96
8	Panel	96
10	PM	0
11	PM	0

#### Configure Power Meter (PMM without PMB)

- 1 Enter a name.  
Select the circuit type:  
Single Phase  
Split Phase  
3-phase
- 2 Enter the mains circuit breaker rating.
- 3 Select the checkbox for each CT installed.
- 4 Enter the CT rating. Ratings are marked on the CT.
- 5 Click OK.

Power Meter 9 (PMM-1)

Settings

Name:  (1)

Type:  (2)

Modbus

Enable Modbus Access:

Modbus Address:

Main Circuit

Circuit Rating:  (3) A

Phase CT:   A

Neutral CT:   A (4)

Earth CT:   A

(5)

The configured power meter displays in the dashboard and Power Meters page.

## Configure Panel Mains Circuit

- 1 Enter a name.
- 2 Select the circuit type:
  - Single Phase
  - Split Phase
  - 3-phase
- 3 Enter the number of circuit positions in the panel.
- 4 Select the panel layout: one or two columns.
- 5 Select the circuit position numbering style: sequential or odd/even.
- 6 Enter the current rating (circuit breaker rating) of the circuit.
- 7 Select the checkbox for each CT installed.
- 8 Enter the CT rating. Ratings are marked on the CT.
- 9 Click OK.

## Configure Panel Branch Circuits

- 1 In the Power Meters page, click the panel.
- The Panel details page opens.

Dashboard		Power Meters			
PMC		ID ▲	Type	Name	Rating
Power Meters 1		1	Panel	Panel Mains 1	250 A
Peripherals		9	PM	PMM-1	200 A

2 In the Panel Branch Circuits section, click the circuit position to open the pop-up menu.

Panel Branch Circuits											
Pos	Phase	Name	Rating	CT #	V	A	φ	Pos	Phase	Name	Rating
1	A							2	A		
3	B							4	B		
5	C							6	C		
7	A							8	A		

3 Click Create Circuit. The Create Circuit dialog opens.

4 Enter a name for the circuit.

**Create Circuit at Position**

Name

Circuit Type

Circuit Rating  A

CT Rating  A

Name	Phase	CT # (red label)
1	A	1

Cancel Create

8 Click the Phase or CT# to edit the automatic labels.

5 Select the circuit type: One-Phase LN, One-Phase LL, One-Phase LLN, or Three-Phase. Circuit type cannot be changed later.

9 Click Create.

6 Enter the current rating of the circuit in Amps.

7 Enter the rating of the CT connected at this circuit position in Amps.

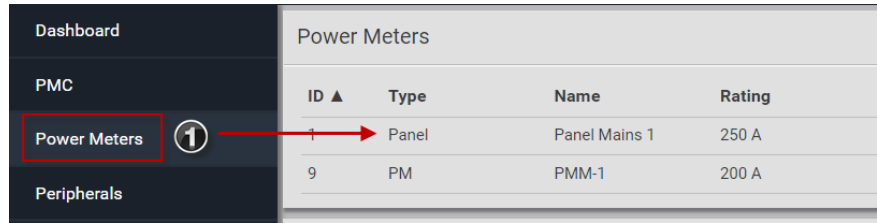
Circuits appear in the list with a black bracket around the circuit positions.

Panel Branch Circuits											
Pos	Phase	Name	Rating	CT #	V						
1	A	Rack 1	20 A	1	0.0 V						
3	B			3							
5	C			5							
7	A	Rack 3	20 A	7	0.0 V						
9	B			9							
11	C			11							

## Configure Thresholds

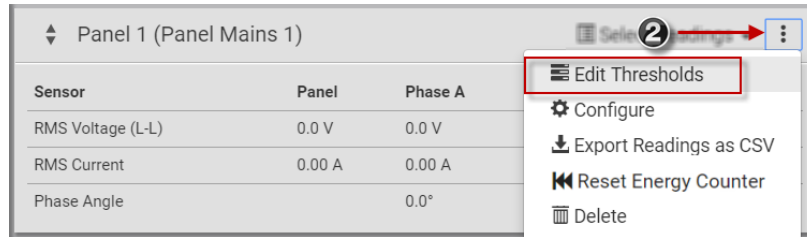
- 1 In the Power Meters page, click the panel or power meter.

The details page opens.



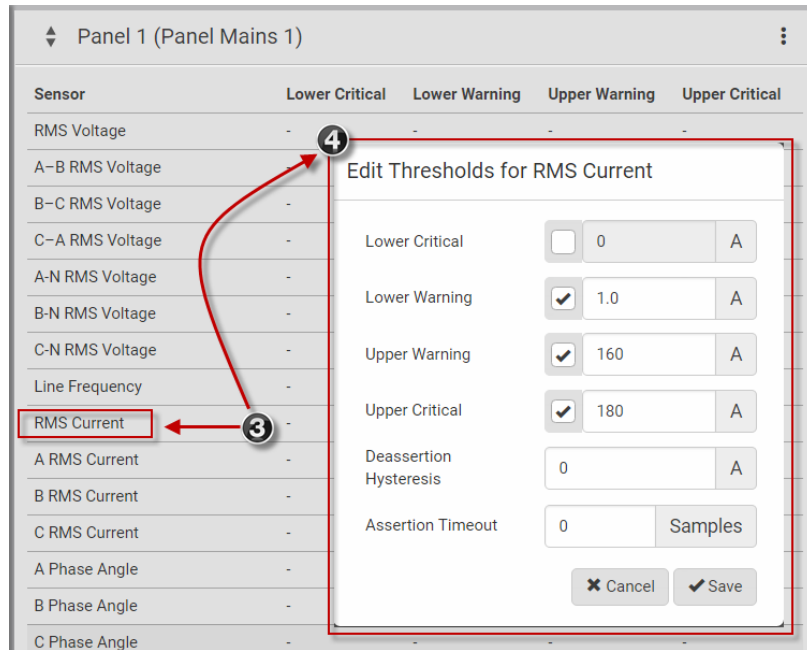
- 2 In the details page, click the actions icon, then choose Edit Thresholds.

- 3 The sensor list displays. Click a sensor to open the Edit Threshold dialog.



Select the checkbox for the level, and enter the threshold current in amps. Click OK.

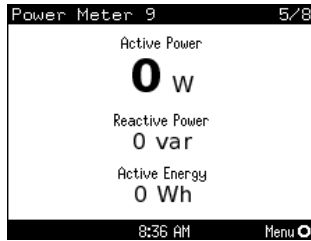
- 4 This example shows RMS Current thresholds set for upper warning and critical levels for the circuit max current rating, and a lower warning set for 1 amp.



## Using the BCM2's Display

### ▶ Automatic Mode:


The BCM2 has a display with automatic and manual modes. In automatic mode, the display scrolls through readings.






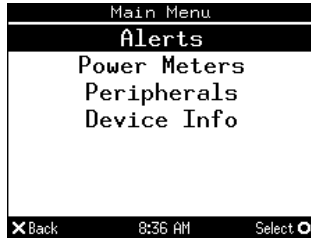
### ▶ Manual Mode:

In manual mode, you can select readings and settings to view.

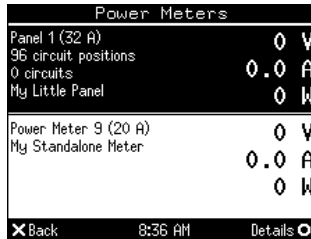
Press  or  to view the Main Menu.

To return to automatic mode, press  once or several times.

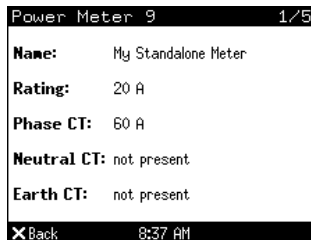
Press   to choose a menu item. Press  to select.



### ▶ Power Meters list



### ▶ Power Meter details



## Appendix A: Configuration via a Mobile Device or PDView

An iOS or Android mobile device, such as a smartphone or tablet, can function as a local display. Android devices must support USB "On-The-Go" (OTG).

### Step 1: Download the "PDView" App

Raritan's free app "PDView" is required for the mobile device to function as a local display.

#### ▶ To download PDView:

1. Visit either Apple App or Google Play Store.

- <https://itunes.apple.com/app/raritan-pdview/id780382738>



- <https://play.google.com/store/apps/details?id=com.raritan.android.pdview>



2. Install PDView.

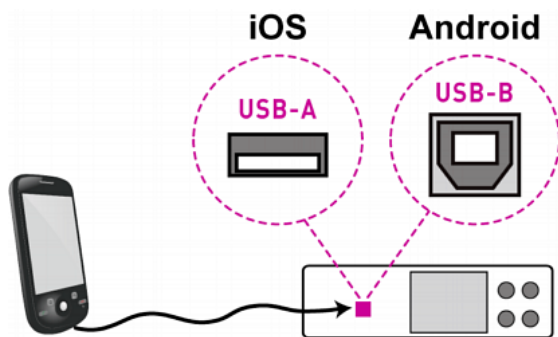


## Step 2: Connect the Mobile Device to BCM2

The USB cable and USB port to connect are determined by your mobile operating system.

### ► To connect your mobile device to BCM2:

1. Get an appropriate USB cable for your mobile device.
  - *iOS*: Use the regular USB cable shipped with your iOS mobile device.
  - *Android*: Use an **USB OTG** adapter cable.
2. Connect the mobile device to the appropriate USB port on the product.
  - *iOS*: USB-A port.
  - *Android*: USB-B port



## Step 3: Launch PDView

### ► To access the BCM2 web interface:

1. Launch PDView on your mobile device.
2. Wait until PDView detects the connected BCM2 and shows the word "Connected" in green.

**Connected**

3. If the factory-default login credentials remain unchanged, or if PDView has been configured with accurate login credentials, PDView automatically logs in to the web interface of BCM2.

If PDView can't login automatically, the login screen displays instead and you must enter appropriate user credentials for login.

4. For initial login, you are prompted to change the password.